



Tabanda

UPVC & Almoniyom
Production LTD








0795266000 / 0729919148



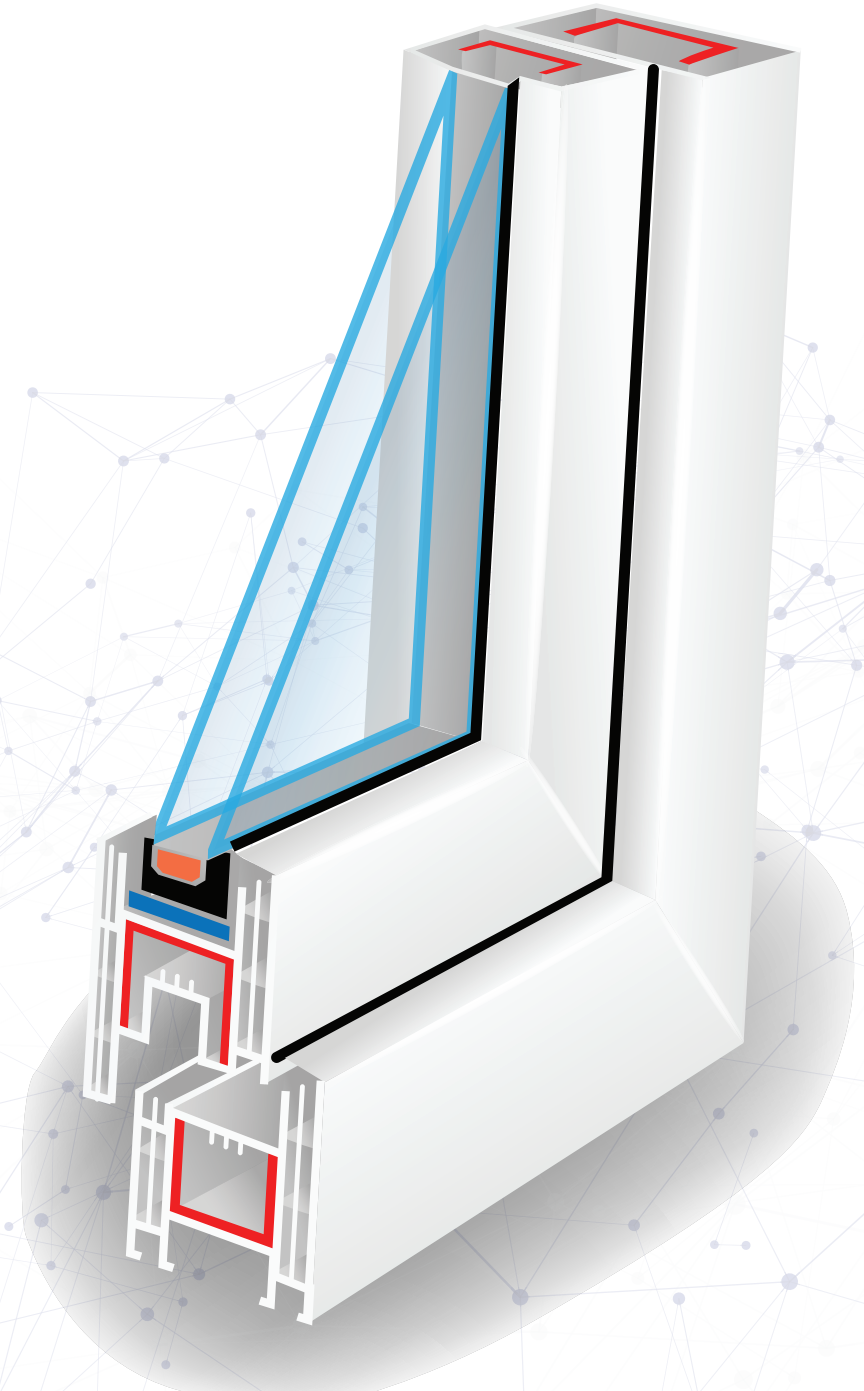
TABANDAUPVCDOOR

ER 60

Technical Specifications

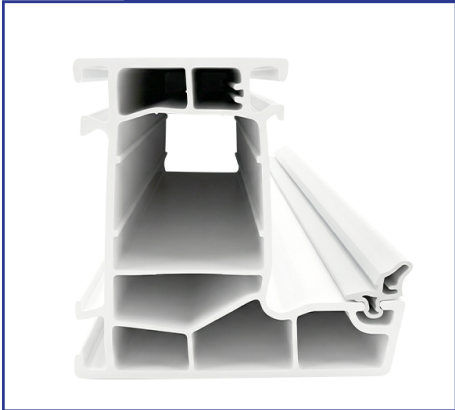
- 
 Smooth Brilliant Surface
- 
 Water and Dust Proof
- 
 Sound Proof
- 
 High- Strength
- 
 60mm Width on Main Profil

01



Main Profil & Aplications

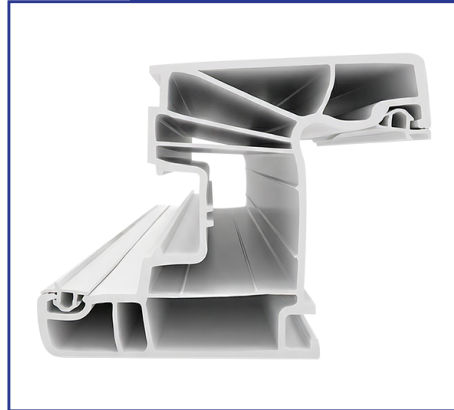
Frame Profil



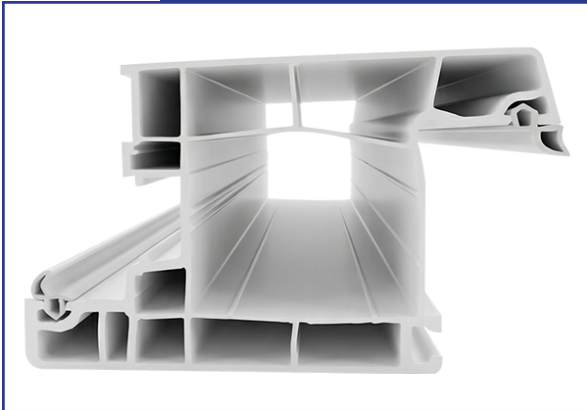
Mullion Profil



Windows Sush Profil



Windows Sush Profil



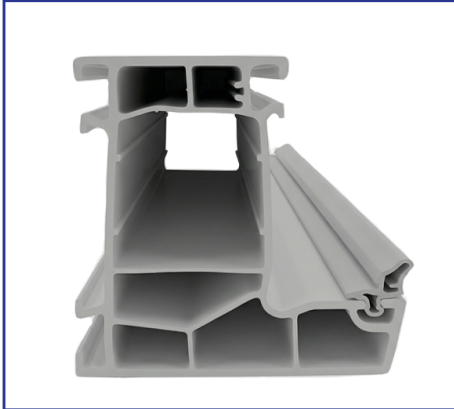
4 Chamber Profiles

White

02

Main Profil & Applications

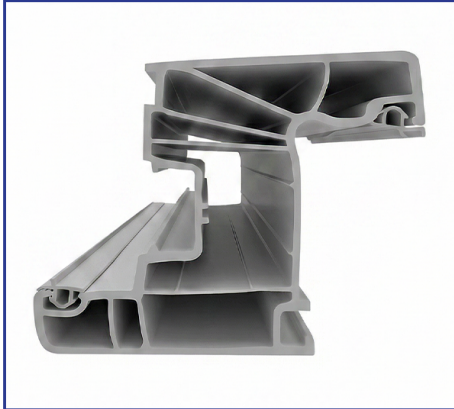
Frame Profil



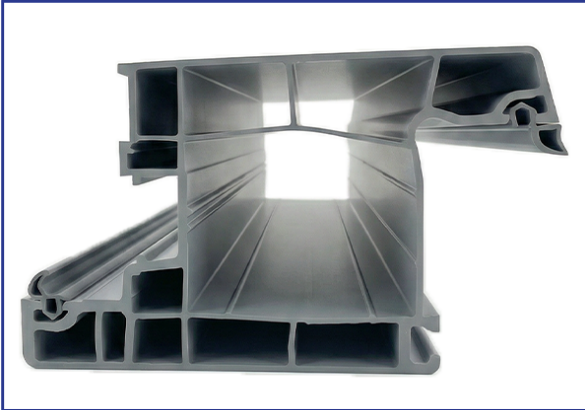
Mullion Profil



Windows Sush Profil



Windows Sush Profil



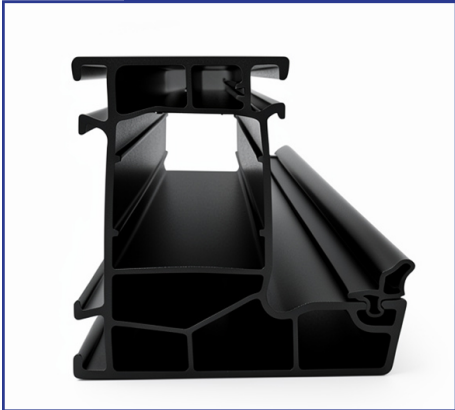
4 Chamber Profiles

03

Gray

Main Profil & Aplications

Frame Profil



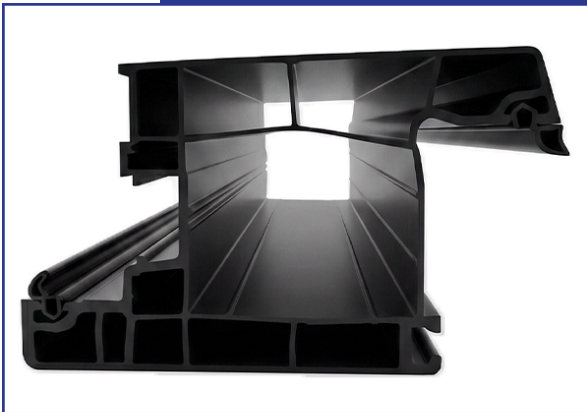
Mullion Profil



Windows Sush Profil



Windows Sush Profil



4 Chamber Profiles

Black

04

Main Profil & Applications

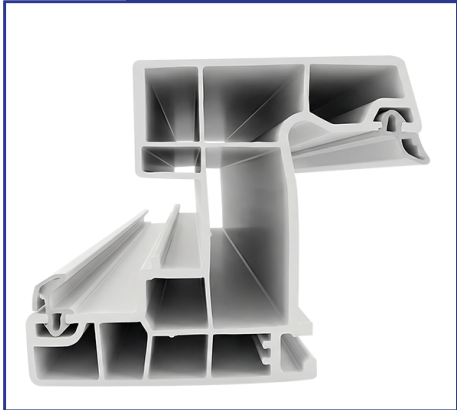
Frame Profil



Mullion Profil



Windows Sush Profil

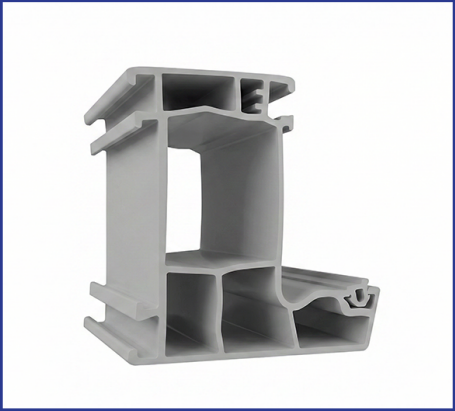


3 Chamber Profiles

White

Main Profil & Aplications

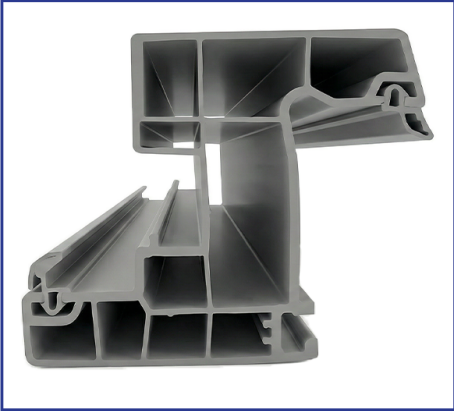
Frame Profil



Mullion Profil



Windows Sush Profil



3 Chamber Profiles

Gray

Main Profil & Applications

Frame Profil



Mullion Profil



Windows Sush Profil








3 Chamber Profiles

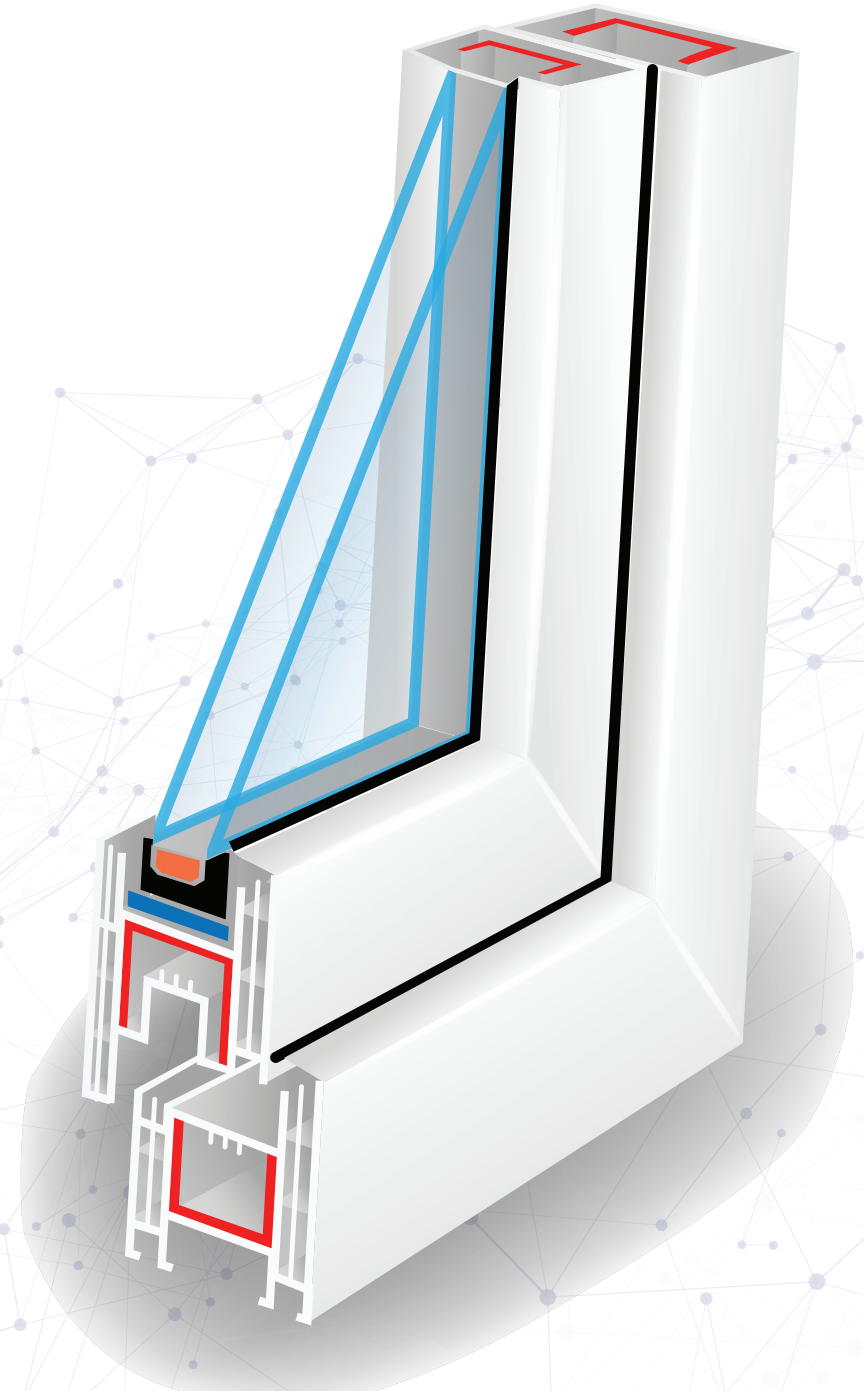
Black

ER 70

Technical Specifications

- 
 Smooth Brilliant Surface
- 
 Water and Dust Proof
- 
 Sound Proof
- 
 High- Strength
- 
 70mm Width on Main Profil

08



5 Chamber Profiles

Main Profil & Applications

Frame Profil



Frame Profil



Frame Profil



Mullion Profil



Mullion Profil

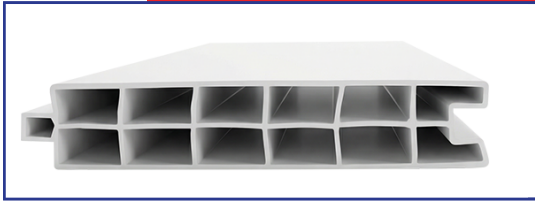


Mullion Profil

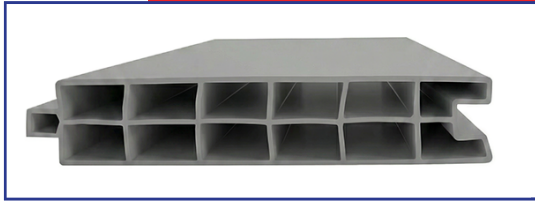


Main Profil & Aplications

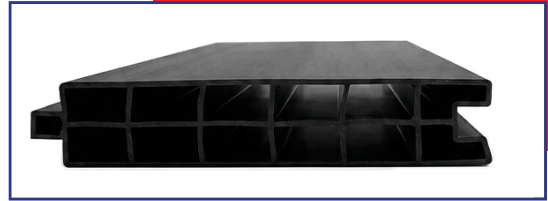
Panel



Panel



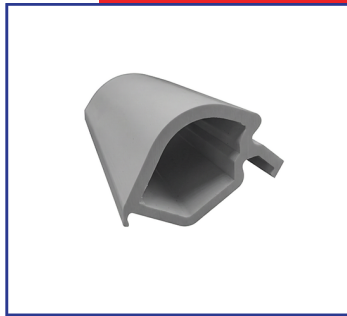
Panel



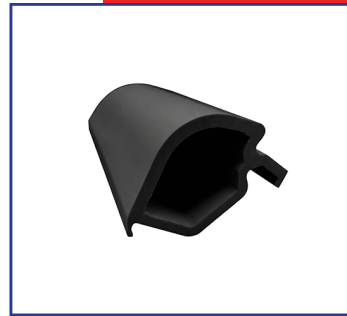
UC



UC



UC





TABANDA

Steel, doors & PVC produce Co.

Tabanda

**UPVC & Almoniyom
Production LTD**



TABANDAUPVCDOOR



0795266000 / 0729919148